



A56

3U Active Air Cooler

PRODUCT SPECIFICATIONS

7/25/24

Model Number: A56

- AMD® Ryzen Processor, Socket AM4 / AM5
- Active Cooler for 3U Server

Overall Specification

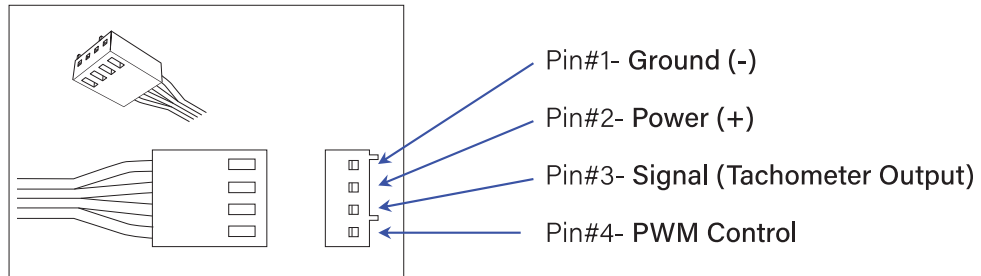
Dimension	107.5 x 78 x 110 mm
Weight	600 g
Material	Aluminum Stacked Fin with Heat Pipes directly contact CPU
Fan	8038 Side-Blow Fan with PWM Function
Mounting Method	Convenient Heat Sink Screw Captive Mounting
Thermal Grease	Shin-Etsu X23-8079-2 pre-printed
TDP	Support CPU Power over 170 Watts Heat Dissipation @28C ambient temperature

Fan Specification

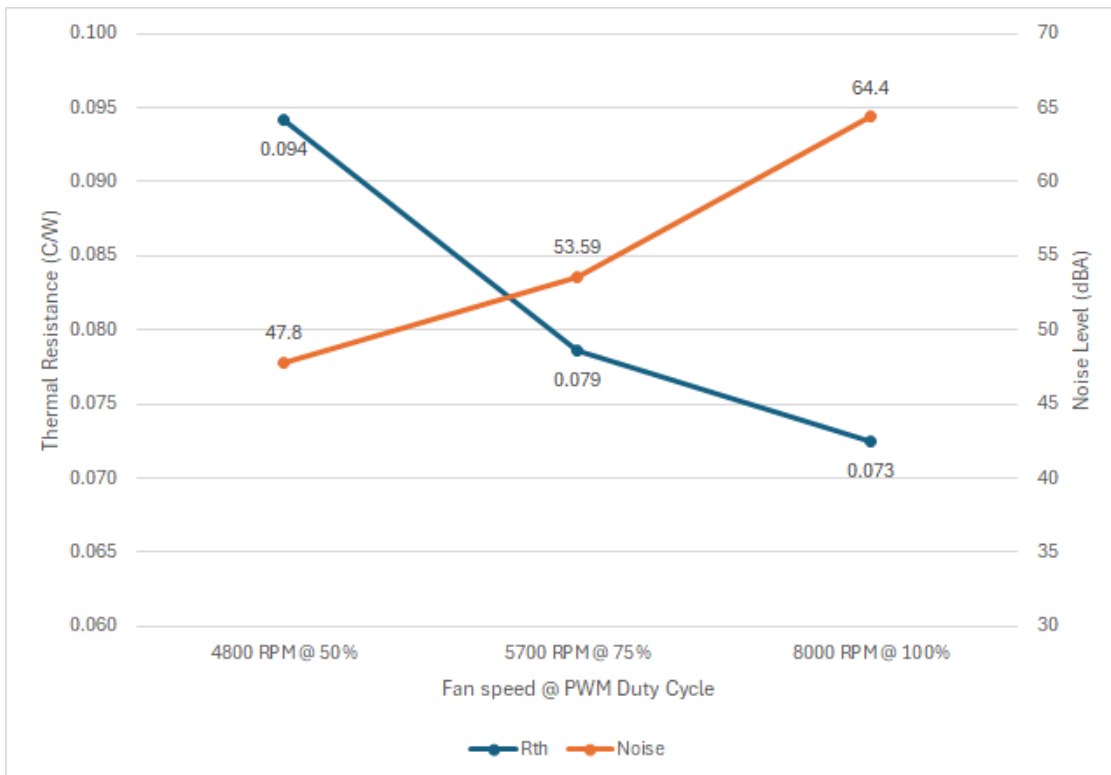
Model Number	DF128038BX - PWMG
Dimension	80 x 80 x 38 mm
Bearing	Double Ball
Rated Voltage	12V
Rated Speed	At Duty Cycle 0~20%: 2400 ± 10% RPM At Duty Cycle 50%: 4800 ± 10% RPM At Duty Cycle 100%: 8000 RPM Min.
Input Power	At Duty Cycle 0~20%: 1.2 W At Duty Cycle 50%: 5.52 W At Duty Cycle 100%: 24.72 W
Maximum Airflow	At Duty Cycle 0~20%: 35.52 CFM At Duty Cycle 50%: 67.24 CFM At Duty Cycle 100%: 115.61 CFM
Rated Static Pressure	At Duty Cycle 0~20%: 1.39 mm-H2O At Duty Cycle 50%: 5.97 mm-H2O At Duty Cycle 100%: 34.06 mm-H2O
Acoustical Noise	At Duty Cycle 0~20%: 25.63 dBA At Duty Cycle 50%: 47.85 dBA At Duty Cycle 100%: 64.4 dBA
Lead Wire Pin Out	Pin#1- Black(-) Pin#2- Yellow(+) Pin#3- Green(Tachometer/ Signal Output) Pin#4- Blue (PWM)

A56 | Socket AM4 / AM5

Lead Wire Pin Out Diagram :



Performance Chart: Active Cooler A56 Thermal Resistance vs. Fan Speed (at Specific PWM Duty Cycle)



2

1

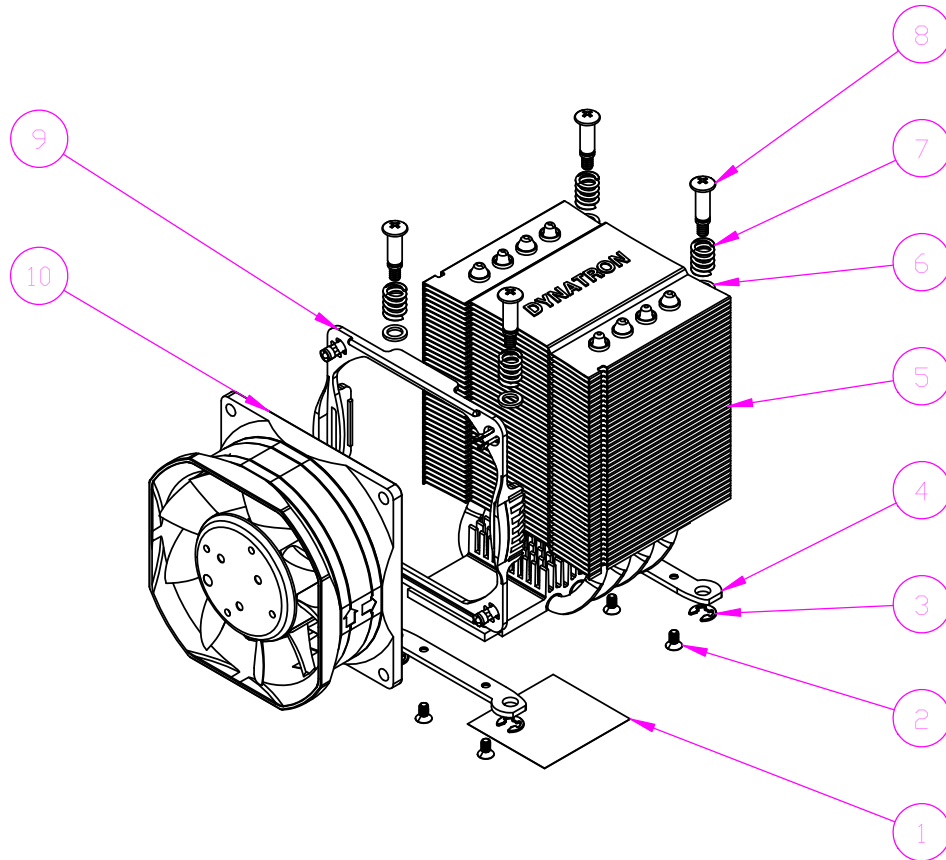
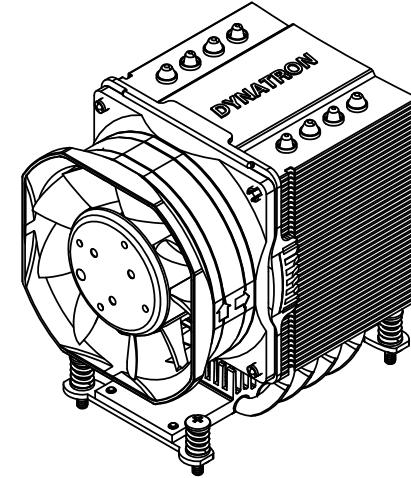
CONFIDENTIAL DOCUMENT

THIS DRAWING CONTAINS INFORMATION PROPRIETARY TO DYNATRON CORPORATION AND DYNAEDN INDUSTRIAL CO., LTD. ANY REPRODUCTION, DISCLOSURE, OR USE OF THIS DRAWING IS EXPRESSLY PROHIBITED EXCEPT AS DYNATRON CORPORATION AND DYNAEDN INDUSTRIAL CO., LTD. MAY OTHERWISE AGREE TO IN WRITING.

REV#	DESCRIPTION	CHECKER	DATE
0.0	INITIAL RELEASE	JUN	01/02/23

B


B



A

A

10	FAN , DF128038BX-PWM, 8000RPM	PLASTIC	1
9	FAN BRACKET	PLASTIC	1
8	SCREW, RETENTION	STEEL	4
7	SPRING	STEEL	4
6	WASHER	STEEL	4
5	HEATSINK	AL BASE, AL FINS, CU HEAT PIPES	1
4	RETENTION	STEEL	2
3	C-CLIP	STEEL	4
2	SCREW, HEATSINK	STEEL	4
1	THERMAL GREASE	SHIN-ETSU X23-8079-2	N/A
ITEM #	DESCRIPTION	MATERIAL	QTY.

	DATE	NAME	 DYNATRON CORPORATION <small>TOP MOTOR</small>
DRAWN	1/5/2024	JUN	
CHECKED	1/5/2024	JUN	
ENG.APPR.			
MFG.APPR.			TITLE: 3U COOLER A56 BOM & exploded Assembly Drawing
COMMENTS:			DWG. NO. DYN-EP-A56
			REV 0.0

NOTES:
THE FIGURE IS FOR REFERENCE ONLY, AND NOT FOR SCALE

2

1

4

3

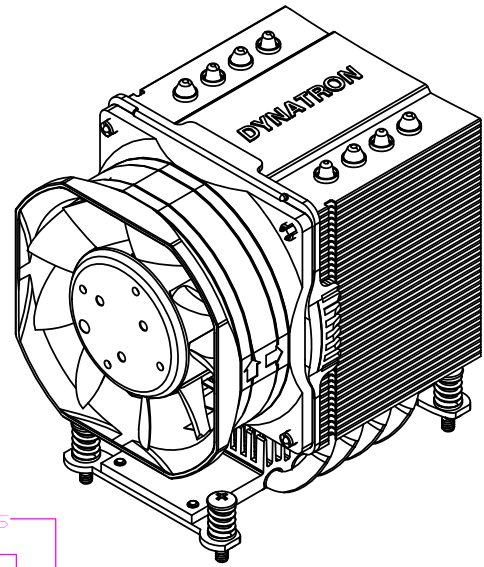
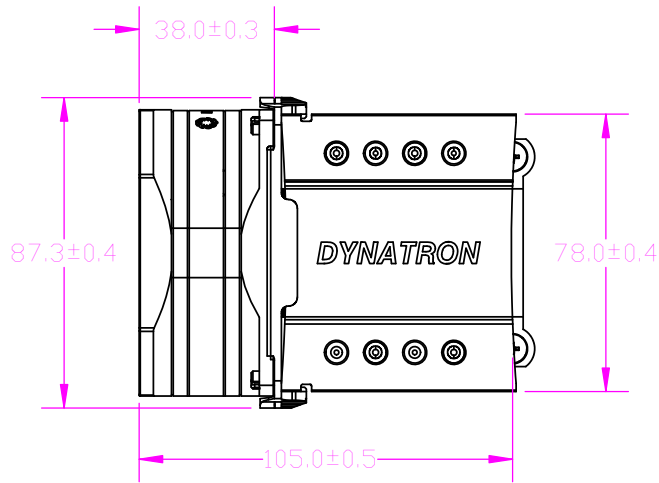
2

1

REV#	DESCRIPTION	CHECKER	DATE
0.0	INITIAL RELEASE	JUN	01/02/24

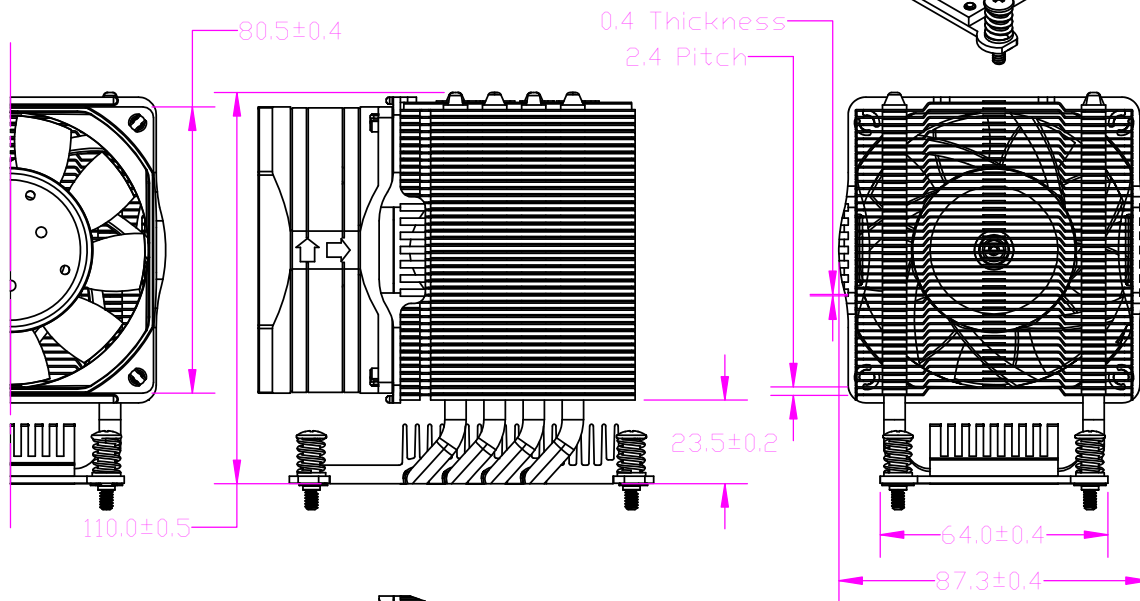
F

F



E

E

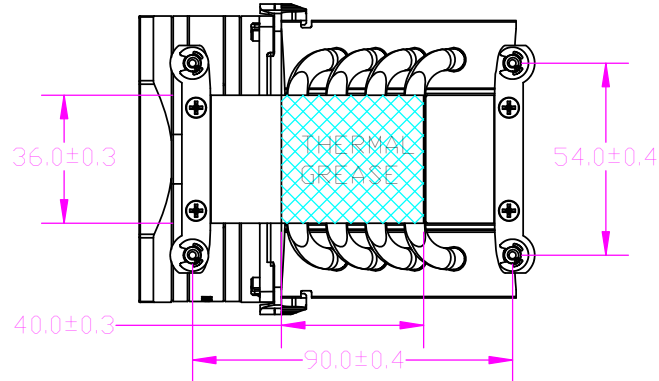


D

D

C

C



B

B

	NAME	DATE
DRAWN BY	JUN	1/5/2024
CHECKED BY	JUN	1/5/2024
ENG. APPROVED		
MFG. APPROVED		



DYNATRON CORPORATION

TITLE:

3U AIR COOLER A56
OVERALL DIMENSION DRAWING

CONFIDENTIAL DOCUMENT
 THIS DRAWING CONTAINS INFORMATION PROPRIETARY TO DYNATRON CORPORATION AND DYNAEON INDUSTRIAL CO., LTD. ANY REPRODUCTION, DISCLOSURE, OR USE OF THIS DRAWING IS EXPRESSLY PROHIBITED EXCEPT AS DYNATRON CORPORATION AND DYNAEON INDUSTRIAL CO., LTD. MAY OTHERWISE AGREE TO IN WRITING.

VIEW		DWG. No:	REV.
UNITS	MM	DYN-BD-A56	0.0

DWG. No:
DYN-BD-A56

REV.
0.0

A

A

4

3

2

1